



FIXTURE HANGERS



FKA



FH



HOOKLOOP

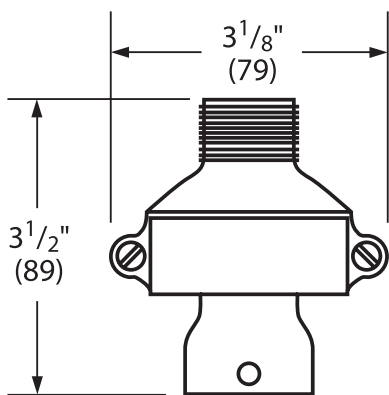
FEATURES-SPECIFICATIONS

FKA

Features

- Ball joint permits fixture to hang plumb. Fixture may swing up to 20° from vertical in any direction
- Cast of aluminum alloy (copper-free aluminum; less than 4/10 of 1%)
- Set screw locks fixture stem in place. Cannot accidentally loosen – intended for use with threaded metal conduit
- Joint cannot twist conductor
- Suitable for fixtures up to 125 pounds

FKA		
CATALOG NUMBER	MALE THREAD	FIXTURE STEM SIZE
FKA-22	3/4"	3/4"



For replacement ball only catalog number 00890545



Listed - File E27731



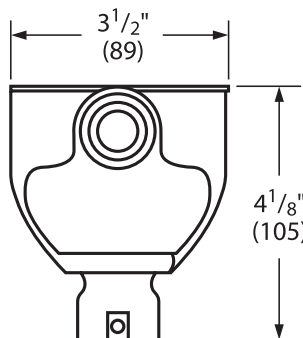
Certified - File LR11851 See files for details or call Killark.

FH

Features

- Combination splice box and flexible fixture hanger
- Ball joint permits fixture to hang plumb. Fixture may swing up to 20° from vertical
- Cast of aluminum alloy (copper-free aluminum; less than 4/10 of 1%)
- Set screw locks fixture stem in place – intended for use with threaded metal conduit
- Joint cannot twist conductors
- Cover may be removed for easy wiring – 11 cu. inches
- Mounts directly to metal conduit
- Suitable for fixtures up to 125 pounds

FH			
TWO HUBS	THREE HUBS	CONDUIT SIZE	FIXTURE STEM SIZE
FEED THRU	T		
FHC-21	FHT-21	3/4"	1/2"
FHC-22	FHT-22	3/4"	3/4"



For replacement ball only catalog number 00890545



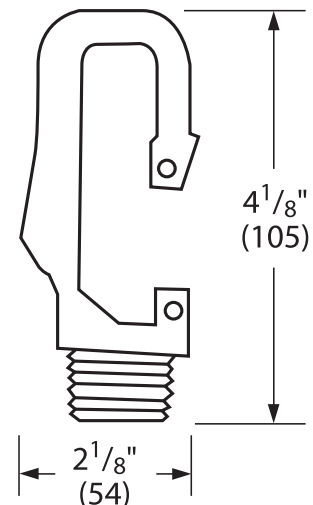
Listed - File E27731

HOOKLOOP

Features

- Pendant fixture hanger consists of a "HOOK" and safety bar which allows conversion to a "LOOP" configuration as necessary
- 3/4" male thread
- Maximum load 125 pounds

HOOKLOOP
CATALOG NUMBER
HOOKLOOP



Listed - File E27731



Certified - File LR11851 See files for details or call Killark.